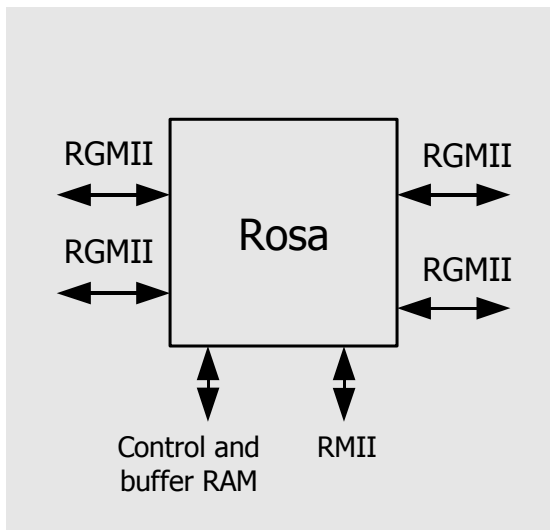


Rosa – Carrier-class Ethernet Switch



- Rosa provides MEF compliant packet switching and aggregation for Carrier Class Metro Ethernet applications
- VLAN aware Ethernet switching compliant with IEEE 802.1D/.1Q/.1ad
- Typical applications include:
 - MEF compliant E-LINE and E-LAN over SONET/SDH and WDM
 - Ethernet aggregation in metro access networks
 - Interface cards in Telecom or Datacom equipment

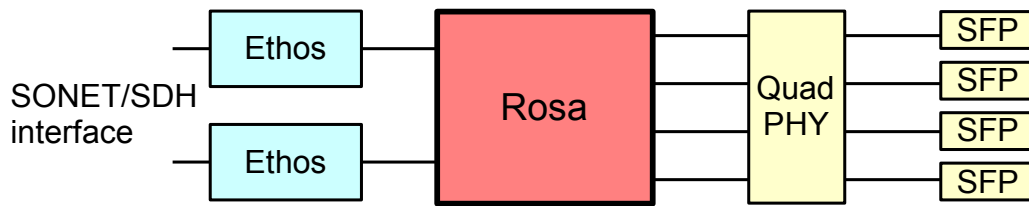
Features:

- Carrier-class switching for MEF-9 and MEF-14 compliant applications
- VLAN aware Ethernet switching compliant with IEEE 802.1D/.1Q/.1ad
- Packet switching:
 - 7 Mpps full rate, all functions enabled
 - 4.8 Gb/s data bandwidth
- Jumbo frames of 16 kbyte
- Automatic address learning and aging
- 32k MAC addresses
- Rapid spanning tree (802.1w) and GVRP
- Flexible classification, queuing and scheduling engine
- L3 aware classifier for 16k QoS flows
- Flow select on VLAN, UPT, IP-TOS or MAC address
- Dual leaky-bucket rate control, per flow (RFC 2697, RFC2698 and MEF-10)
- Flexible Traffic Class assignment per flow
- Performance monitoring per port, per flow and per color with 32 bit counters
- 4 priority queues per port
- Ingress and Egress shaper per port, rate programmable in steps of 100 kb/s
- Strict priority or DWRR scheduling
- Link Aggregation Groups
- Port Mirroring

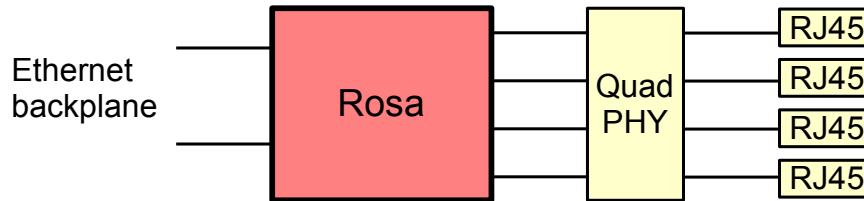
- Port locking per SA address
- Round trip delay measurement, end-to-end
- OAM packet processing

Interfaces:

- 13 Ethernet ports
 - 4 RGMII ports with full MAC supporting triple rate PHYs
 - 8 RGMII ports with reduced MAC, optimized for connection to 2 ETHOS Ethernet over SONET/SDH mappers
 - 1 RMII port for data transport to the management CPU
- DDR2 SDRAM for packet buffer (64 MB)
- SRAMs for MAC address table, Flow tables and Performance counters
- Parity and CRC check on all interfaces
- 32-bit interface to external CPU



SONET/SDH MSPP system with triple rate 10/100/1000BASE-T interfaces



MEF compliant packet processing card

Application configurations with Rosa

Applications:

- Metro Ethernet Forum compliant E-Line and E-LAN applications
- Ethernet Aggregation and distribution in the First Mile (IP-TV, optical FE, VDSL, PON)
- Flexible packet transport over SONET/SDH and WDM systems
- MSPP, CPE, OED, router or switch blades

AimCom B.V.
Anton Philipsweg 1
1223 KZ Hilversum
The Netherlands

tel: +31 35 689 1900
fax: +31 35 689 1901
www.aimcom.nl

AimCom

Printed November 2006 v1.0

AimCom BV partners with Fujitsu Microelectronics Europe in the development and marketing of ASSPs for Telecommunication applications.

AimCom BV is a privately owned semiconductor design company, providing building blocks for Next Generation Optical Networking solutions for delivery of cost-effective carrier-class SDH and Ethernet services. Together with its sister companies, AimSys and AimBridges, AimCom offers full-featured carrier-class solutions for metro and regional service providers.

The information in these materials is given to describe certain component concept and shall not be considered as a guarantee of characteristics. Please note that AimCom's product information does not constitute or contain any guarantee, warranty or legal binding representation, unless expressly identified as such in duly signed writing.