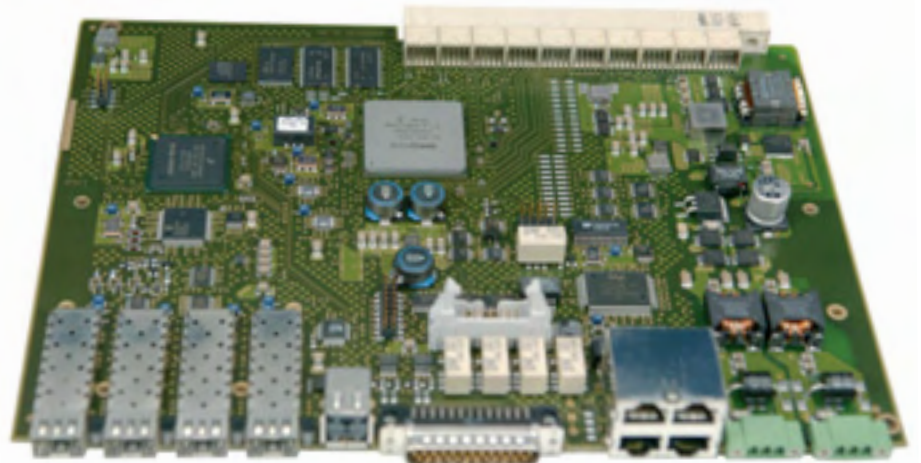


FACTSHEET

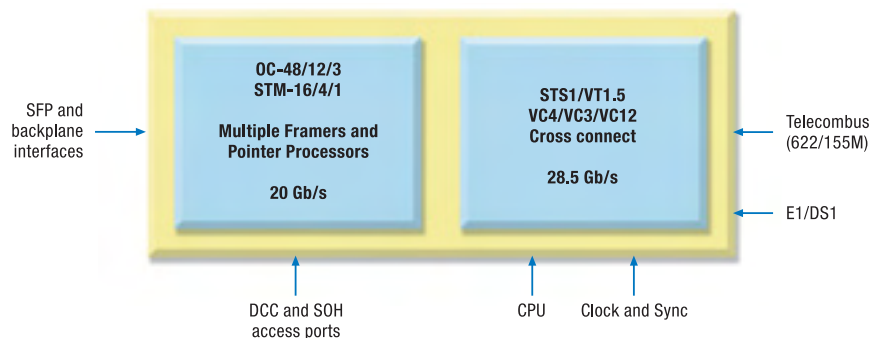
MB87Q2060 - SYSTEM-ON-CHIP METRO ADM

- System-on-chip solution for OC-48 and STM-16 Metro Add/Drop multiplexers
- Multi-Rate SONET/SDH line interfaces
- Higher and lower order cross connect, integrated timing and clocks, and multiple tributary ports
- Applications:
 - Line and tributary cards for Next-gen SONET/SDH MSPPs and DWDM
 - OC48/STM-16 microADM or Optical Edge Device systems



Solutions for OC-48 and STM-16 Metro Add/Drop multiplexers

MB87Q2060 block diagram



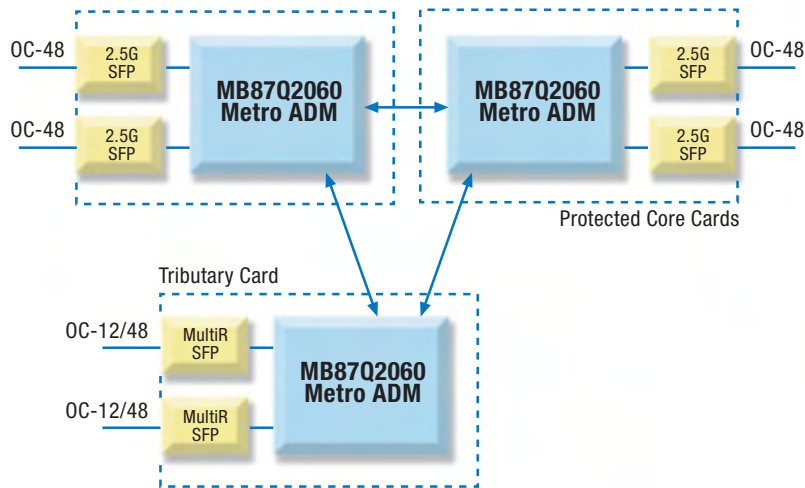
Features

- Line interfaces:
 - 2 STM-16/4/1, OC-48/12/3 triple-rate interfaces
 - 16 STM-4/1, OC-12/3 dual-rate interfaces
 - Direct interface to multi-rate SFP modules
- Backplane interfaces:
 - 4 TFI-5 or 16 622Mb/s for interface to mate devices or tributary cards
- Line and section Byte processing functions
- Integrated clock data recovery and scrambling on all ports
- 28.5 Gb/s AU4/STS1 Higher Order crossconnect (549 STS1, 183 VC4)
- 7.5 Gb/s VC12/VT1.5/VC3 Lower Order crossconnect (4032 VT1.5, 3024 VC12, 144 LO-VC3)
- Hardware assisted UPSR/SNC protection switching for VT1.5, VC12 and LO-VC3

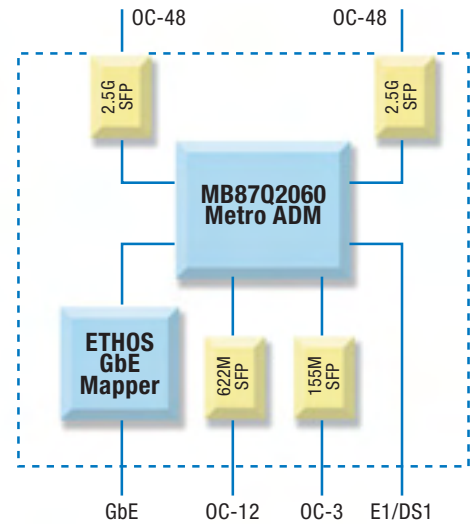
- SONET/SDH pointer processing, overhead termination and protection schemes
- Contiguous Concatenation for VC-4-16c, VC-4-4c, STS-48c, STS-12c and STS-3c
- AIS, Unequipped and PRBS generators and monitors
- G.813 SEC, GR-1244 Stratum-3 network element timing
- 2MHz, E1 and DS1 timing interfaces
- 4 E1/DS1 ports
- Telecom bus 8-bit, 155 or 622Mb/s
- Flexible SONET/SDH overhead access ports
- Access to backplane overhead Bytes
- Access to 48 DCC channels
- HDLC based in-band management channels via DS1 or E1
- Performance monitoring
- Fault management
- Loopbacks
- 32-bit controller interface

FACTSHEET

Multi-Ring Metro Add/Drop Multiplexer



OC-48 Micro MSPP



Applications

- Metro Add/Drop Multiplexer or MSPP with multiple OC-48/STM-16 ring closures
- Line card: dual OC-48/STM-16 ports with mate and tributary interfaces
- Tributary card: 16 port triple-rate SONET/SDH card with redundant backplane interfaces
- Single chip OC-48/STM-16 micro MSPP in ring or terminal configuration
- OC-48/STM-16 protected network termination device or OED
- DWDM optical transponder with OC-3/12/48 aggregation and ring add/drop

Features

- Multi rate SONET/SDH ports
- CDR on all interfaces
- Integrated OC-48/STM-16 CDR
- Integrated G.813 SEC network clock
- Integrated clock generation and distribution
- Non blocking lower order cross connect
- Hardware assisted UPSR/SNCP switching

Benefits

- Flexible STM-N/OC-N line interface selection
- No need for external clock data recovery or (de)mux device
- Direct connection to SFP modules
- Low device overhead
- No need for external clock devices
- Flexible grooming and protection switching of lower order traffic
- Less than 50ms switch time, independent of number of channels

AimCom

www.aimcom.nl

AimCom BV is a privately owned semiconductor design company, providing building blocks for Next Generation Optical Networking solutions for delivery of cost-effective carrier-class SDH and Ethernet services. Together with its sister companies, AimSys and AimBridges, AimCom offers full-featured carrier-class solutions for metro and regional service providers.

<http://emea.fujitsu.com/microelectronics>

Fujitsu Microelectronics Europe

Headquarters

Fujitsu Microelectronics Europe GmbH
Pittlerstrasse 47
D-63225 Langen
Germany
Phone: +49 (0)61 03 69 00
Fax: +49 (0)61 03 69 01 22

Germany

Fujitsu Microelectronics Europe GmbH
Frankfurter Ring 211
D-80807 München
Phone: +49 (0)89 32 37 8 70 0
Fax: +49 (0)89 32 37 8 72 2

France

Fujitsu Microelectronics Europe GmbH
105 rue Jules Guesde
F-92300 Levallois Perret
Phone: +33 (0)1 55 21 00 40
Fax: +33 (0)1 55 21 00 41

Italy

Fujitsu Microelectronics Europe GmbH
Palazzo Pitagora - Milano 3 City
Via Ludovico il Moro 4B
I-20080 Basiglio, Milano
Phone: +39 02 90 45 02 1
Fax: +39 02 90 75 00 87

United Kingdom

Fujitsu Microelectronics Europe GmbH
Network House, Norreys Drive
Maidenhead
Berkshire SL6 4FJ
Phone: +44 (0)1628 50 46 00
Fax: +44 (0)1628 50 46 66